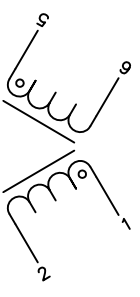


The information contained in this drawing is the sole property of Coil Winding Specialist Inc. (CWSI). Any reproduction in part or whole without written permission of CWSI is prohibited.



SCHEMATIC

DIMENSIONAL TOLERANCE INCHES [MM]					
A(OD) Max	B(HGT) Max	C(ID) TYP	D1(LEAD) Min	D(LEAD) Min	F (Lead Dia) TYP
2.60 [66.04]	1.80 [45.72]	0.98 [24.90]	0.30 [7.62]	0.50 [12.70]	0.081 [2.05]

REVISION HISTORY			
REV	ECN	DESCRIPTION	SIGN & DATE
A		PRODUCTION RELEASE	BY: [] DATE: 01/14/2020 CHK: [] DATE: 01/14/2020

9 BUILT TO ROHS COMPLIANCE

8 LABEL PART NUMBER, REVISION AND DATE CODE.

7 HOLE PATTERN.

THEY SHALL COMPLY WITH THE SPECS. ON THE MOUNTING SEE FOOTPRINT CHART ON THE RIGHT FOR COMPONENT LEAD

6 TRIM INSIDE LEADS TO 0.50 INCHES.

STRIP AND TIN LEADS TO 0.12 - .20 INCH ABOVE DATUM FOR SOLDERING

5 APPLY SILICONE AROUND THE EDGE OF ID AND COIL FOR TOP AND BOTTOM.

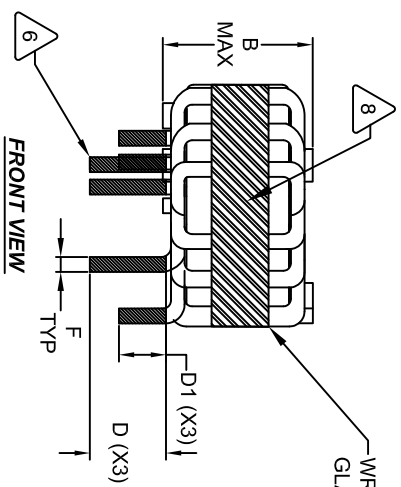
4 STRIP AND TIN LEADS FOLLOWING SPECS. ON NOTE 6.

WEIGHT = 260 GRAMS TYP
 INSULATION RESISTANCE = 100 MEGA OHMS MIN. @ 500 VDC.
 OPERATING TEMP RANGE = -40 °C TO 130°C
 MAX TEMP RISE = 40 °C
 INTERWINDING ISOLATION = 2000 VOLTS RMS.
 DCR ON EACH WINDING = 7.0 mΩ MAX.
 SRF = 1.1MHZ TYP
 RATED VOLTAGE = 1000 VAC OR VDC
 RATED CURRENT = 25 AMPS
 LEAKAGE INDUCTANCE = 16 uH TYP @ 10 KHZ, 0.25 Vrms.
 INTERWINDING CAPACITANCE = 8 pF TYP @ SRF
 IMPEDANCE = 8kΩ NOM @ SRF
 L = 6.0mH MIN @ 10 KHZ, 0.25 Vrms, 0 ADC
 SPECIFICATIONS AT 25°C:

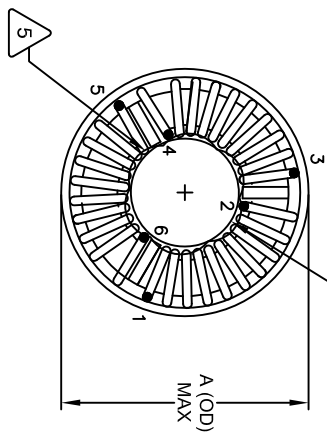
3
 WIRE: UL RECOGNIZED 200°C RATED MAGNET WIRE
 CWS BYTEMARK OR OTHER APPROVED PART
 CORE: NANOCRYSTALLINE OR AMORPHOUS CORE

2
 CASE RATING CLASS B (130°C) REQUIRED
 MATERIAL: UL RECOGNIZED FOR FLAMMABILITY

1
 NOTES: UNLESS OTHERWISE SPECIFIED, READ NOTES FROM BOTTOM TO TOP.
 CAGE CODE: 5DME2



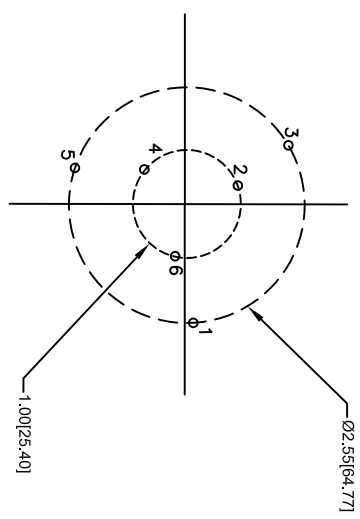
WRAP COIL WITH GLASS TAPE



TOP VIEW

PIN LOCATIONS FOR PCB FOOTPRINT TOP VIEW		
PIN #	X	Y
1	1.142	0.138
2	-0.185	0.598
3	-0.688	0.921
4	-0.427	-0.457
5	-0.458	-1.055
6	0.610	-0.138

COMPONENT LEAD FOOTPRINT CHART



MOUNTING HOLES PATTERN

UNLESS OTHERWISE SPECIFIED	AUTOCAD	X
DIMENSIONING AND TOLERANCE PER ANSI Y14.5M AND [UNITS/INCHES]	SOLIDWORKS	
TOLERANCE INCHES: ± 0.005 ± 0.030	DRWN TN	01/14/2020
TOLERANCE METERS: ± 0.127 ± 0.762	CHKD JM	01/14/2020
ANGLE PROJECTION	ENGR. JL	01/14/2020
DO NOT SCALE DRAWING	APPR. JL	01/14/2020
www.coliws.com Coil Winding Specialist Inc. sales@coliws.com 353 West Grove Ave Orange, California 92865		
TITLE: Nanocrystalline Inductor Three-Phase Common Mode Choke Horizontal Mount		
SIZE [DIM. NO.]	TPC-060U-25A	REV A
SCALE	N/A	SHEET 1 OF 1